

# Evolution Dehumidifier

(Models: F292, F292-SM, F292-SP, F292-BUR, F292-GRN, F292-PR)

## Symbol Definition

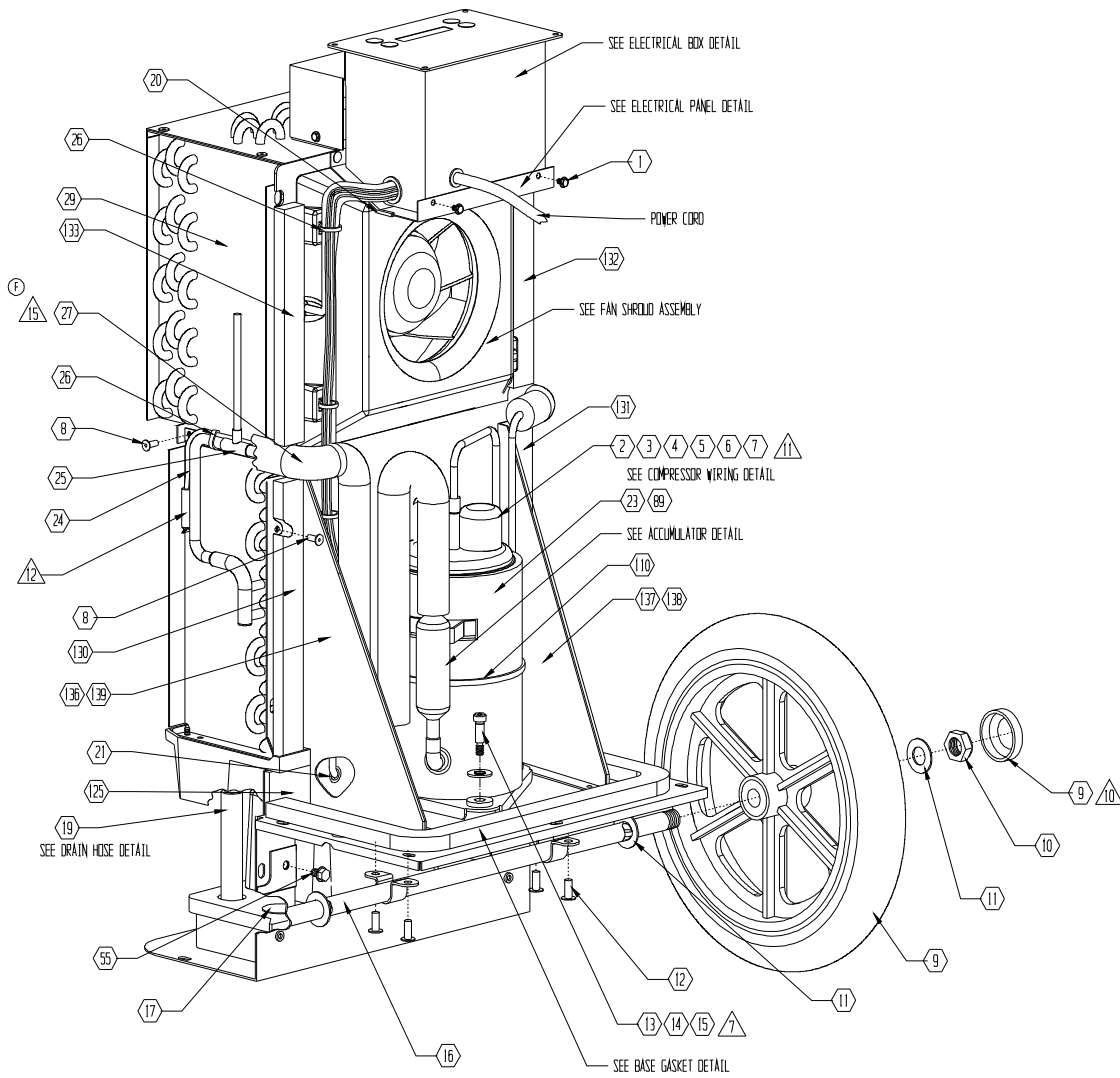
- \* - multiple components to choose from for different models: voltage, size, color, etc.
- + - if you order this item, you may need to order additional items marked with same number of +'s in order to upgrade or complete repair

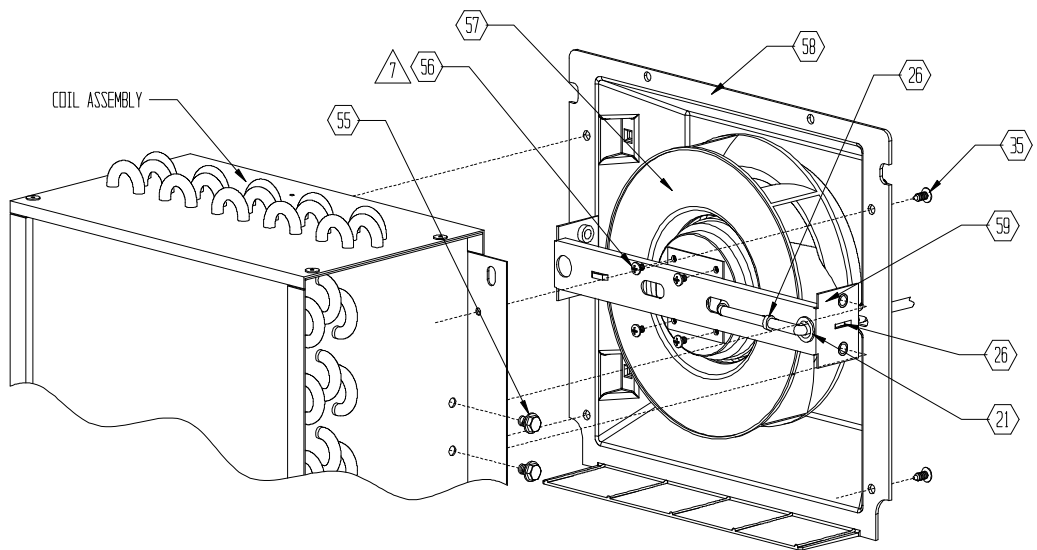
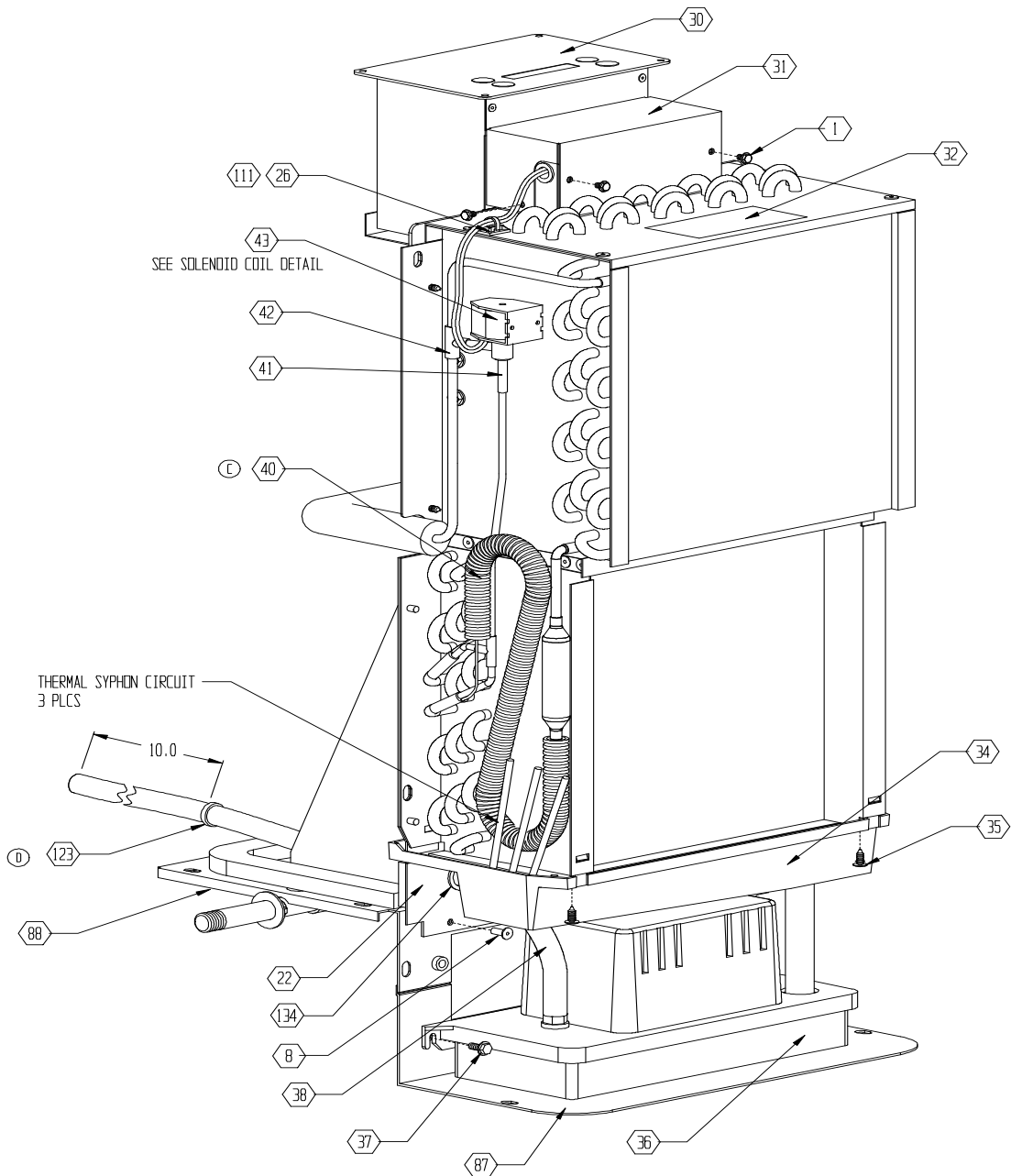
Find #	Part Description	Part #	Measure	Qty
53	TERMINAL BLOCK-GP	02-00157	Ea.	1
47	CAPACITOR - 35MFD 250V 1.75	02-00188	Ea.	1
90	STRAIN RELIEF- SNAP .360 DIA	02-00218	Ea.	1
57	BLOWER ASSY - MOTORIZED	02-01466	Ea.	1
82	WASHER- 1/4" RIVET .26ID x	03-00001	Ea.	6
112	WASHER- #10 X 5/8 OD	03-00006	Ea.	1
26	CABLE TIE- NYLON 4"	03-00012	Ea.	7
52	SCREW- #8 X 1/2 PHP ZP	03-00023	Ea.	6
17	CAP- PLASTIC BLK 1.125 DIA	03-00027	Ea.	1
50	NUT- W/STAR WASHER 10-24	03-00038	Ea.	5
21	BUSHING- SPLIT BLK	03-00050	Ea.	4
55	SCREW- 1/4-20 X 3/8 HWH W/	03-00105	Ea.	19
10	NUT- 5/8-11 NYLOC THIN ZP	03-00113	Ea.	2
11	WASHER- 5/8 AN .63 ID X 1.187	03-00114	Ea.	4
60	GASKET- 1/2 X 1/2	03-00121	Ft.	6.1
61	GASKET- 1/2 X 1/2	03-00121	Ft.	5.8
113	GASKET- 1/2 X 1/2	03-00121	Ft.	1
39	BUSHING- .671 ID X.875 X.41	03-00126	Ea.	1
134	BUSHING- .671 ID X.875 X.41	03-00126	Ea.	1
111	MOUNTING PD-NYLON TIE 3/4	03-00141	Ea.	1
98	SCREW- 10-24 X 1.5 HWH ZP	03-00151	Ea.	1
93	BOLT- SHOULDER 5/16-18 X 3/8	03-00175	Ea.	1
35	RIVET - 3/16 X 1/4 AL/AL BLK ANOD	03-00189	Ea.	6
80	FOOT-ROUND PUSH MOUNT	03-00202	Ea.	2
71	RIVET - 3/16 X 5/8 TRI FOLD	03-00204	Ea.	7
12	RIVET-1/4 X 1/4 STL/STL 8-4	03-00208	Ea.	4
8	RIVET-STL/STL SB6-4	03-00432	Ea.	13
78	CLAMP- 3/8 ID HOSE GREEN	03-00471	Ea.	1
99	NUT- NYLOC 10-24 ZINC	03-00491	Ea.	1
95	NUT- NYLOC 3/8-16 ZINC PLATE	03-00505	Ea.	
14	WASHER- 3/8 USS .438 ID X 1.00OD X .083 ZP	03-00506	Ea.	3
110	CABLE TIE - 11"	03-00813	Ea.	2
46	RIVET- 1/8 X 1/8 AL/AL AAP 42	03-00901	Ea.	2
1	SCREW- HWH CLASS 2 TF 8-32	03-00962A	Ea.	6
13	BOLT- SHOULDER 5/16-18 X	03-01427	Ea.	3
37	SCREW- 10-24 X 1/2" SLOT	03-01429	Ea.	2
56	SCREW - M4 X 6MM PHP ZP	03-01467	Ea.	4
96	PIN - SPRING .125 OD X 1.00 STD SS	03-01472	Ea.	
115	SCREW - # 8 X 1/2 PHP ZP BLK	03-01474	Ea.	4
116	SPRING - .850 X 1.00 X .080 SS	03-01475	Ea.	1

Find #	Part Description	Part #	Measure	Qty
123	CLAMP - 1/2 ID HOSE BLACK	03-01481	Ea.	1
130	GASKET - 1" X 1/2" X 50'	03-01483	Ft.	0.8
131	GASKET - 1" X 1/2" X 50'	03-01483	Ft.	0.8
132	GASKET - 1" X 1/2" X 50'	03-01483	Ft.	0.7
133	GASKET - 1" X 1/2" X 50'	03-01483	Ft.	0.7
140	GASKET - 1" X 1/2" X 50'	03-01483	Ft.	2.2
49,67,68	RIVET - 5/32 X 3/8 AL/AL BLK ANOD	03-01487	Ea.	5
142	PLUG - HOLE .88 DIA X .25 NYLON BLK	03-01598	Ea.	2
69	PLATE- STRAIN RELIEF W/ PC	04-00052-01	Ea.	1
147	FOAM- 18.0 X 18.0 X 1.0 EPS 1	06-00084	Ea.	1
146	FOAM- 2.13 X 2.13 X 28.0 EPS 1	06-00085	Ea.	2
145	BOX - 20.88 X 20.88 X 33.63	06-01463	Ea.	1
107	LABEL - PRODUCT	07-00448	Ea.	1
106	LABEL - WARNING ANSI	07-00451	Ea.	1
32	LABEL - CAUTION Y/B	07-01432	Ea.	1
144	MANUAL - OWNERS 115V	07-01480	Ea.	1
41	VALVE- SOLENOID 1.9MM	08-00108	Ea.	1
23	COMPRESSOR- 115V/60HZ 5595	08-00133	Ea.	1
36	PUMP- CENTRIFUGAL 115V 80	08-00177	Ea.	1
72	POWER CORD ASSY- 16/3 SJTW	08-00226	Ea.	1
43	SOLENOID ASSY-115V	08-00231	Ea.	1
2	COMPRESSOR OVERLOAD-115V	08-00233	Ea.	1
3	NUT-TERMINAL COVER HH	08-00240	Ea.	1
4	WASHER-GASKET 7/32 ID X	08-00241	Ea.	1
5	SPRING- 1-1/16 OD X 1/2 H	08-00242	Ea.	1
6	GASKET-TERMINAL CVR 2-5/16	08-00243	Ea.	1
7	COVER-TERMINAL 3-14 X 2-1/8	08-00244	Ea.	1
15	GROMMET-.375 ID X 1.50 OD	08-00247	Ea.	3
30	CONTROL PANEL ASSY -	08-00259	Ea.	1
24	SENSOR CABLE ASSY- MICRO	08-00260	Ea.	1
77	FITTING-QUICK DISCONNECT (DRAIN HOSE)	08-00302	Ea.	1
76	FITTING-QUICK DISCONNECT (PUMP HOSE)	08-00303	Ea.	1
29	COIL ASSEMBLY -	08-00327	Ea.	1
143	REFRIGERANT- R-22	08-00755	Oz.	24
101	INSULATION- CORK TAPE 2"	08-00784	Ft.	0.1667
102	INSULATION- CORK TAPE 2"	08-00784	Ft.	0.3333
103	INSULATION- CORK TAPE 2"	08-00784	Ft.	0.4167
104	INSULATION- CORK TAPE 2"	08-00784	Ft.	0.0833
105	INSULATION- CORK TAPE 2"	08-00784	Ft.	0.5000
122	INSULATION- CORK TAPE 2"	08-00784	Ft.	0.1667
44	ELECTRICAL BOX - GALV STL	08-01463	Ea.	1
87	PLATE - PUMP GALV STL	08-01465	Ea.	1
59	BRACKET - FAN GALV	08-01466	Ea.	1
31	COVER - ELECTRICAL PANEL	08-01468	Ea.	1
54	PLATE - ELECTRICAL BOX	08-01469	Ea.	1
45	PLATE - ELECTRICAL BOX	08-01470	Ea.	1
	COVER - POLYETHYLENE FISHER BLU EVOLUTION	08-01476S	Ea.	1
	DOOR - POLYETHYLENE FISHER BLU EVOLUTION	08-01477	Ea.	1
84	OUTLET - GRILL ABS BLK	08-01478	Ea.	1
58	SHROUD - FAN ABS BLK	08-01479	Ea.	1
73	HOSE WRAP - ABS BLK	08-01481	Ea.	2

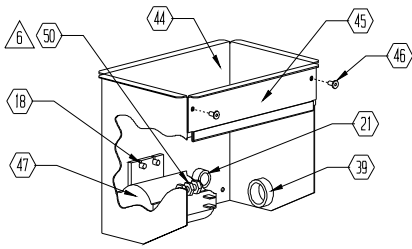
Find #	Part Description	Part #	Measure	Qty
92	BUSHING - HOSE WRAP ABS	08-01484	Ea.	1
89	GASKET - COMPRESSOR NEOPR	08-01486	Ea.	1
142	WIRE HARNESS 115V/230V	08-01487S	Ea.	1
100	LATCH - DOOR ALCRYN	08-01492	Ea.	1
70	HANDLE ASSY - EVOLUTION	08-01493	Ea.	1
129	GASKET - LOWER DRIP TRAY	08-01499	Ea.	1
22	BULKHEAD - GALV STL	08-01502	Ea.	1
136	SUPPORT - LEFT COIL	08-01503	Ea.	1
137	SUPPORT - RIGHT COIL GALV	08-01504	Ea.	1
125	GASKET - BULKHEAD	08-01506	Ea.	1
34	DRIP TRAY - ABS BLK	08-01507	Ea.	1
27	REFRIGERATION LINES - EVOLUTION	08-01509S	Ea.	1
128	GASKET - UPPER DRIP TRAY	08-01510	Ea.	1
138	GASKET - RIGHT SUPPORT	08-01511	Ea.	1
139	GASKET - LEFT SUPPORT	08-01512	Ea.	1
	REFRIGERATION LINES - 230V	08-01513S	Ea.	1
	BASE - GALV STL EVOLUTION (230V)	08-01520	Ea.	1
16	AXLE ASSY- 5/8 OD X 20.29	08-01521-01	Ea.	1
	REAR PANEL - POLYETHYLEN FLINT GREY	08-01523S	Ea.	1
88	BASE - GALV STL EVOLUTION	08-01527	Ea.	1
51	CAPACITOR ASSY - 5MFD 375V BOX	09-00012	Ea.	1
9	WHEEL- 12 X 2 X 5/8 BORE	13-00053	Ea.	2
38	TUBING- 3/8 X 5/8 OD BRAIDED	13-00083	Ft.	2.8333
20	GROMMET - EDGING .131 x	13-00150	In.	2
141	TAPE - VINYL ELECTRIC TAPE	13-01439	Ft.	1
	DUST CAP - 12 OD WHEEL NYLON BLK	13-01549	Ea.	2
79	TUBING- 1/4" ID X 3/8" OD	15-00195	Ft.	40
19	TUBING- 1/2" ID X 3/4" OD	15-01463	Ft.	0.4166
42	FITTING- TEE 1/4" COPPER	18-00756	Ea.	1
25	FITTING- TEE 3/8 X 3/8 X 1/4	18-00764	Ea.	1
28	VALVE- LINE SERVICE 1/4"	18-00817	Ea.	1

# Evolution Dehumidifier Pictorial Drawings

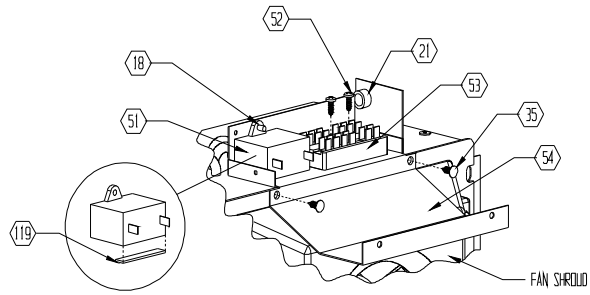




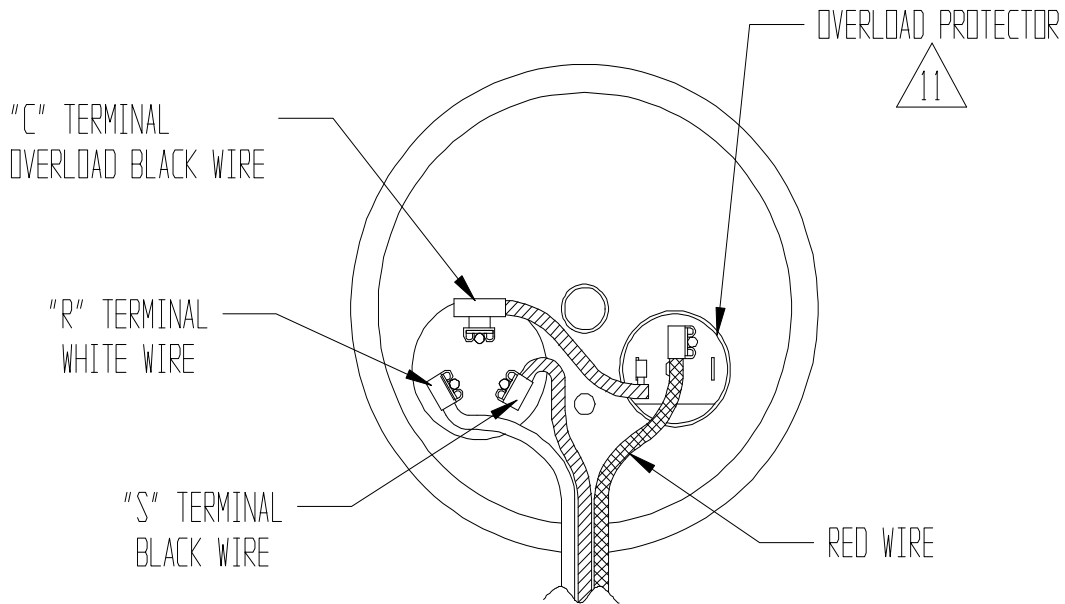
FAN SHROUD ASSEMBLY



ELECTRICAL BOX ASSEMBLY



ELECTRICAL PANEL ASSEMBLY



COMPRESSOR WIRING DETAIL

